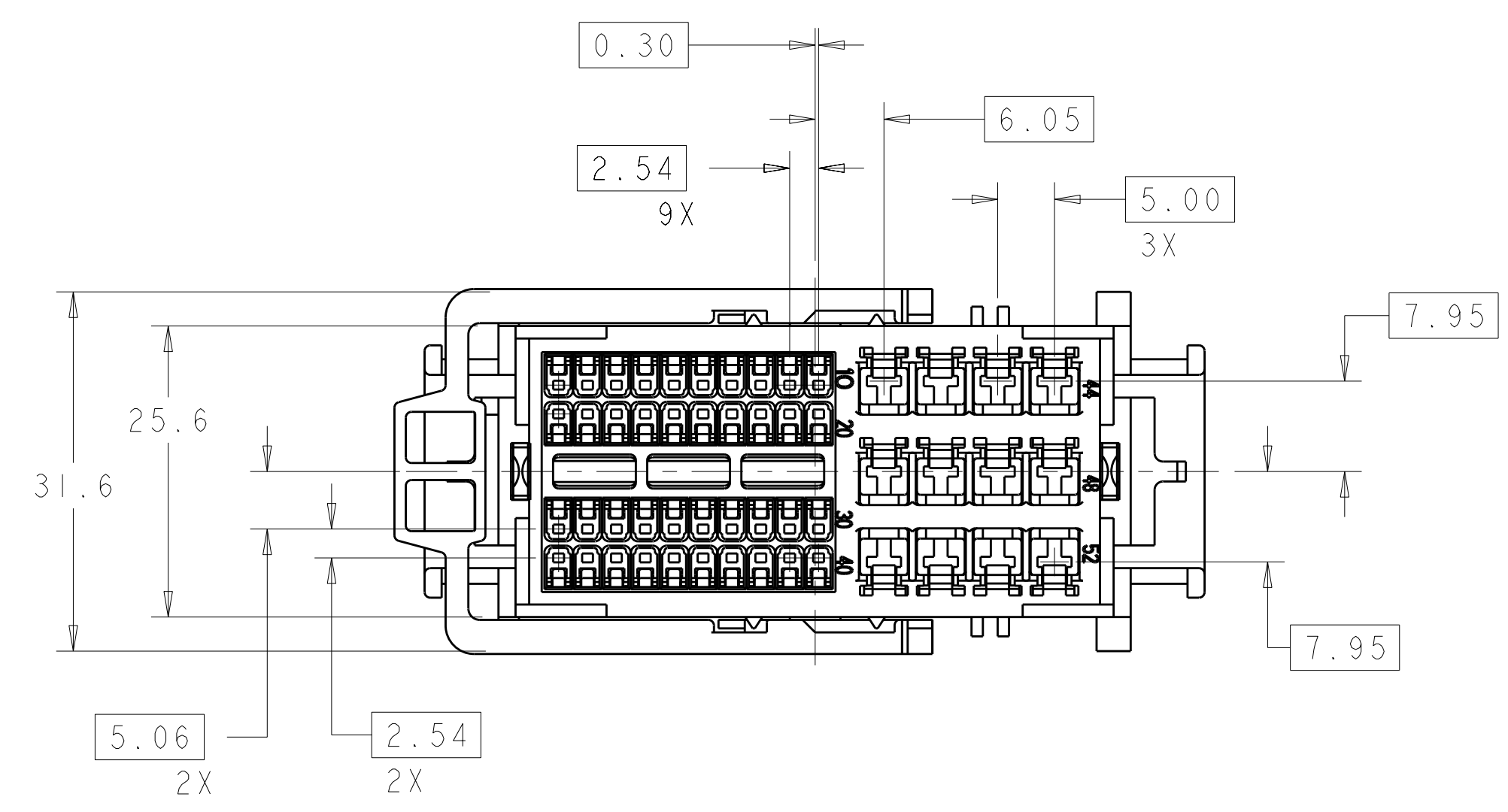
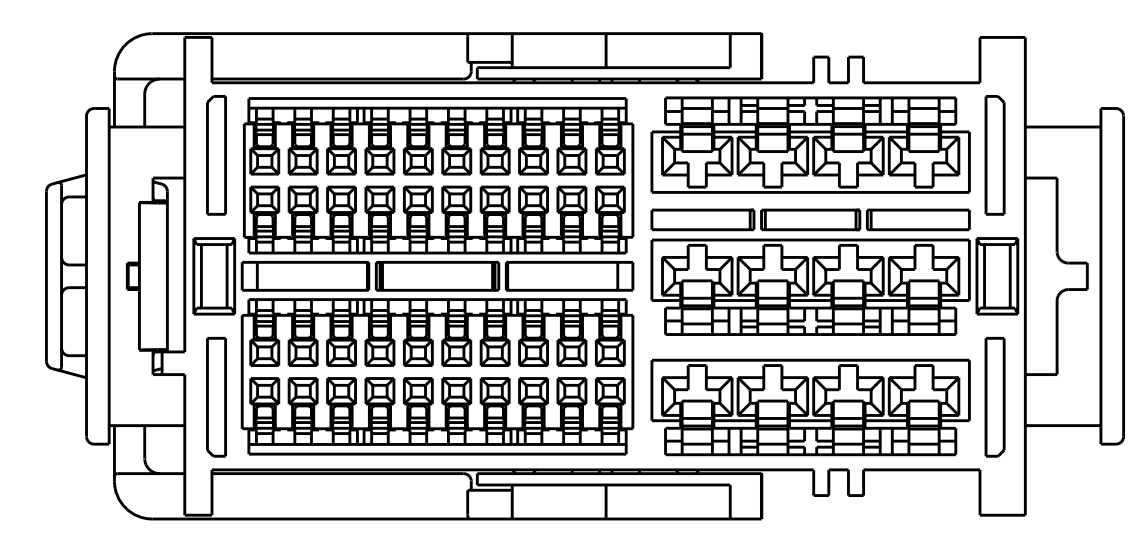
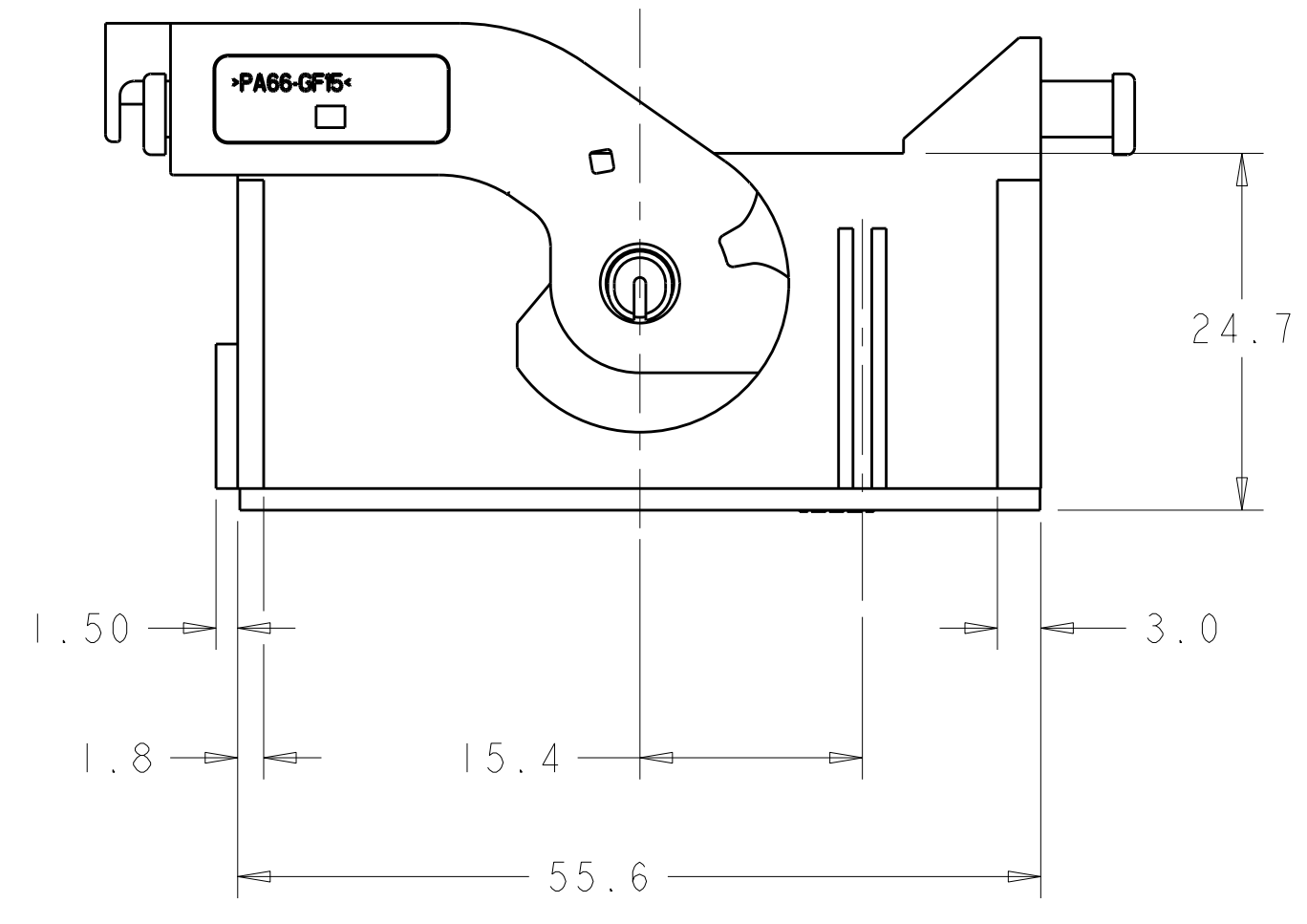
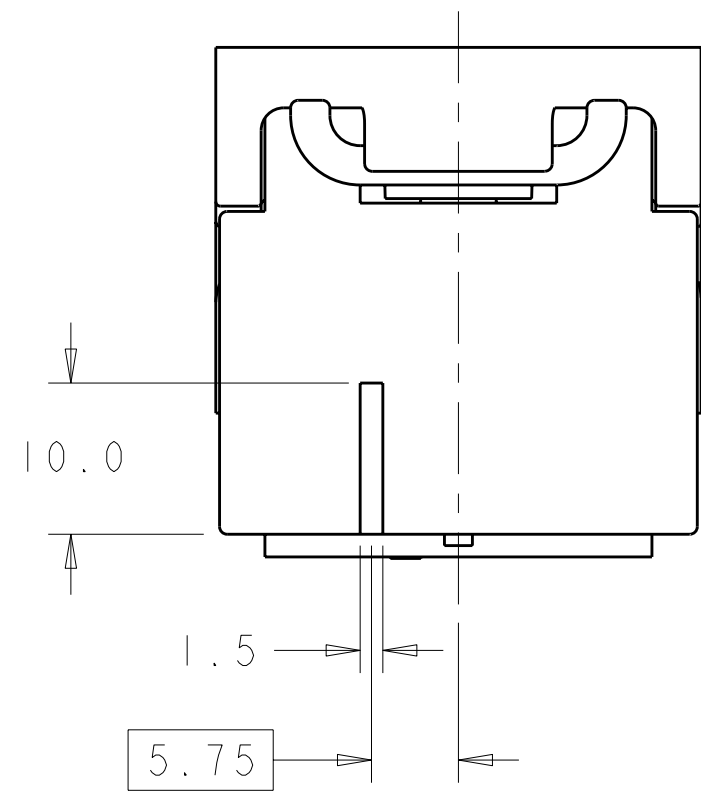


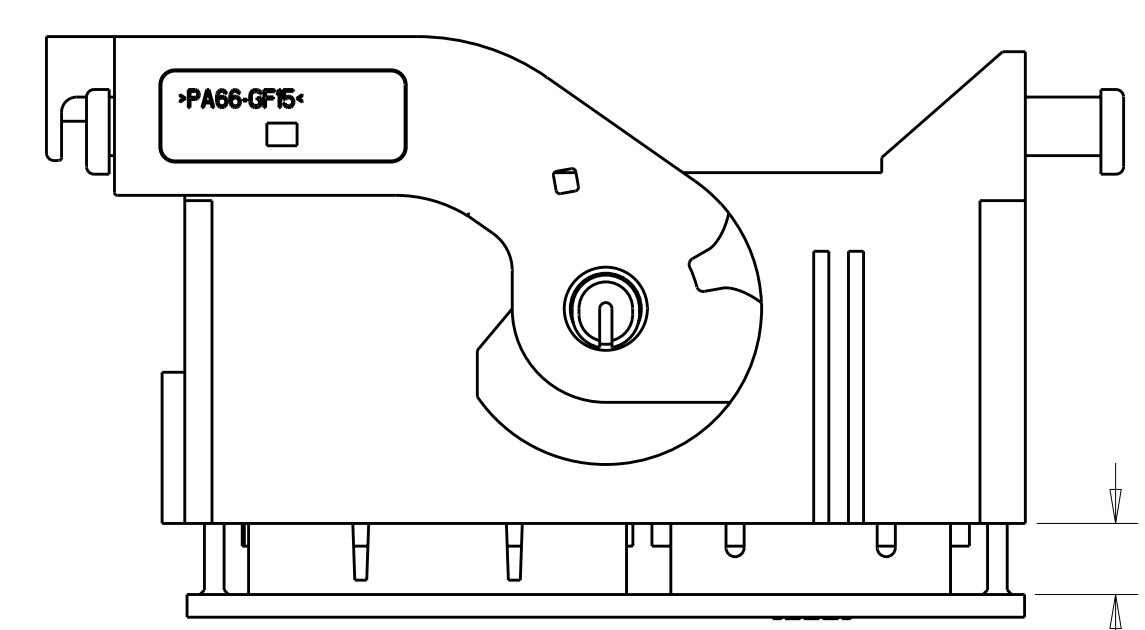
LOC	DIST	REVISIONS			
FX	00	REV	DATE	BY	APPD
		C	REVISD PER ECR 06-011954	17MAY2006	DLD AME
		C1	REVISD PER ECO-10-016879	16AUG2010	DLD CJS



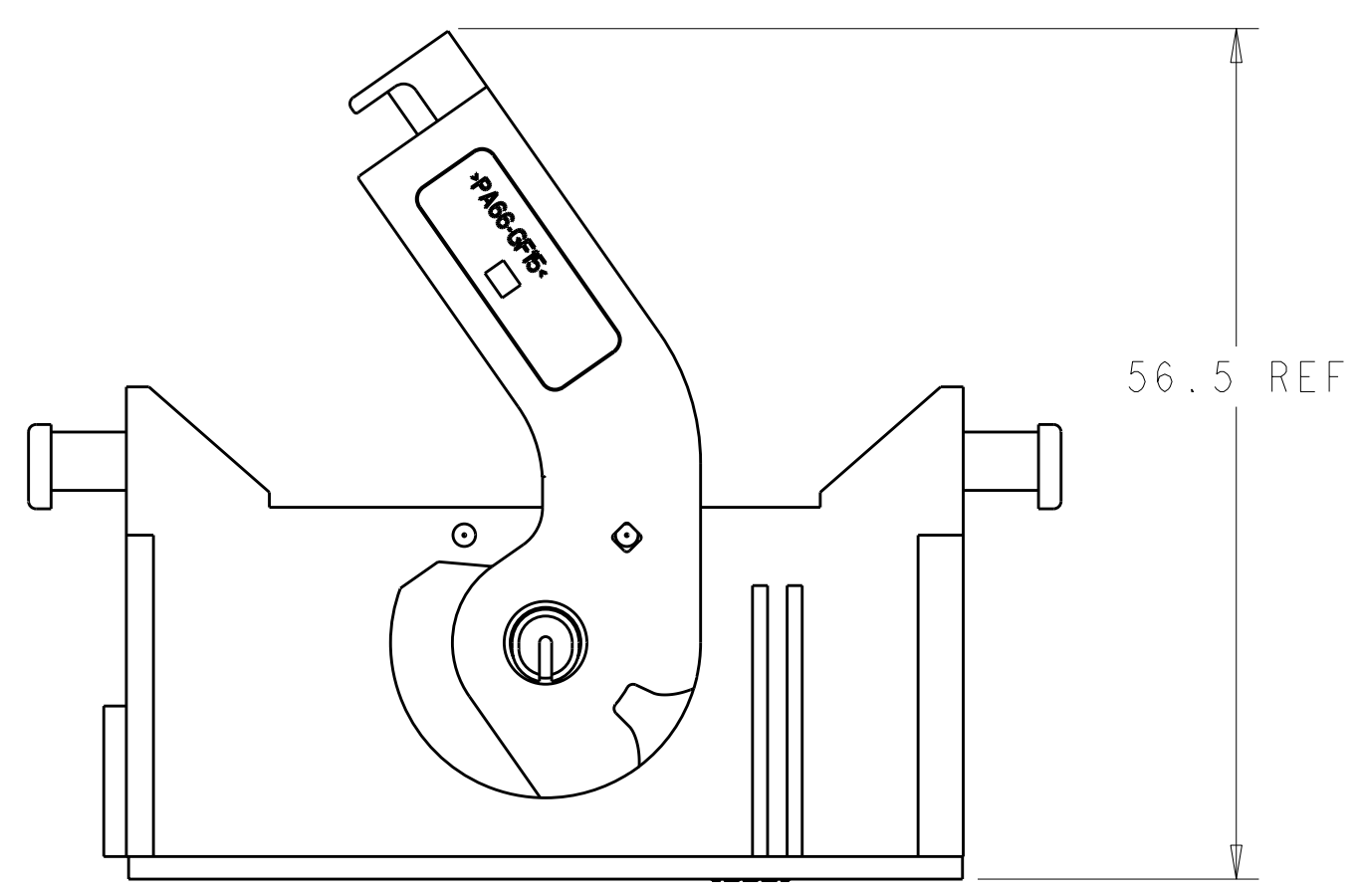
△ MATERIAL:  
 PLUG HOUSING - NYLON, 35% GLASS FILLED, BLACK.  
 LEVER - NYLON, 15% GLASS FILLED, BLACK.  
 TPA - PBT, 15% GLASS FILLED, RED.



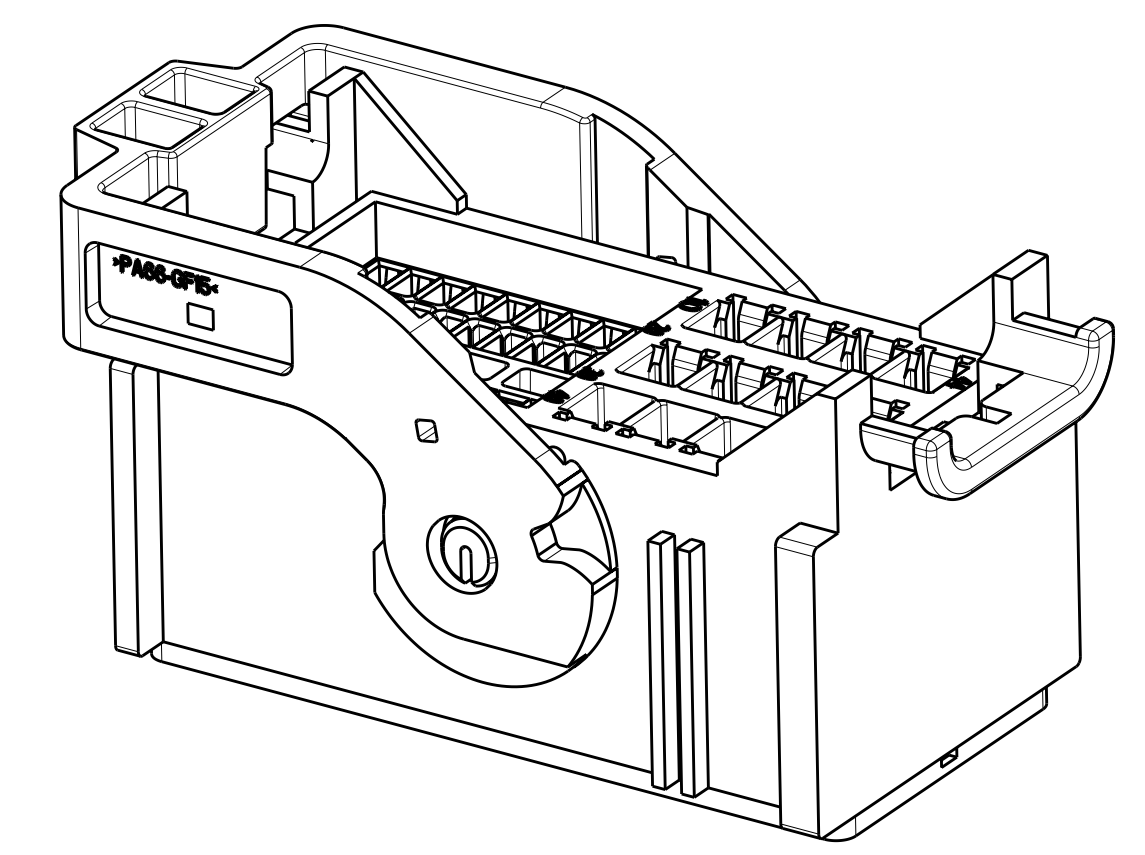
TPA REMOVED FOR CLARITY



SHIPPING CONFIGURATION



INSTALLATION CONFIGURATION

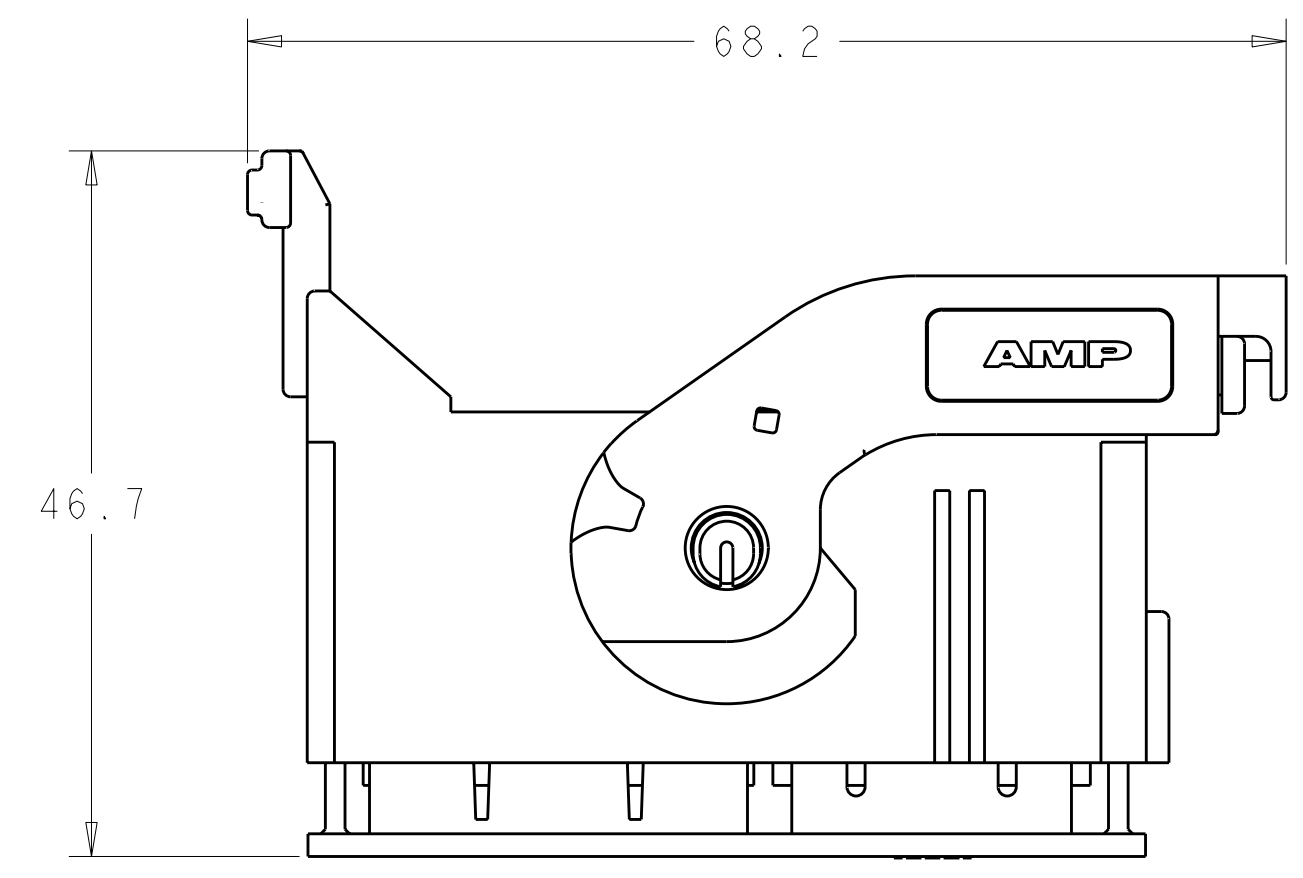


776932-1

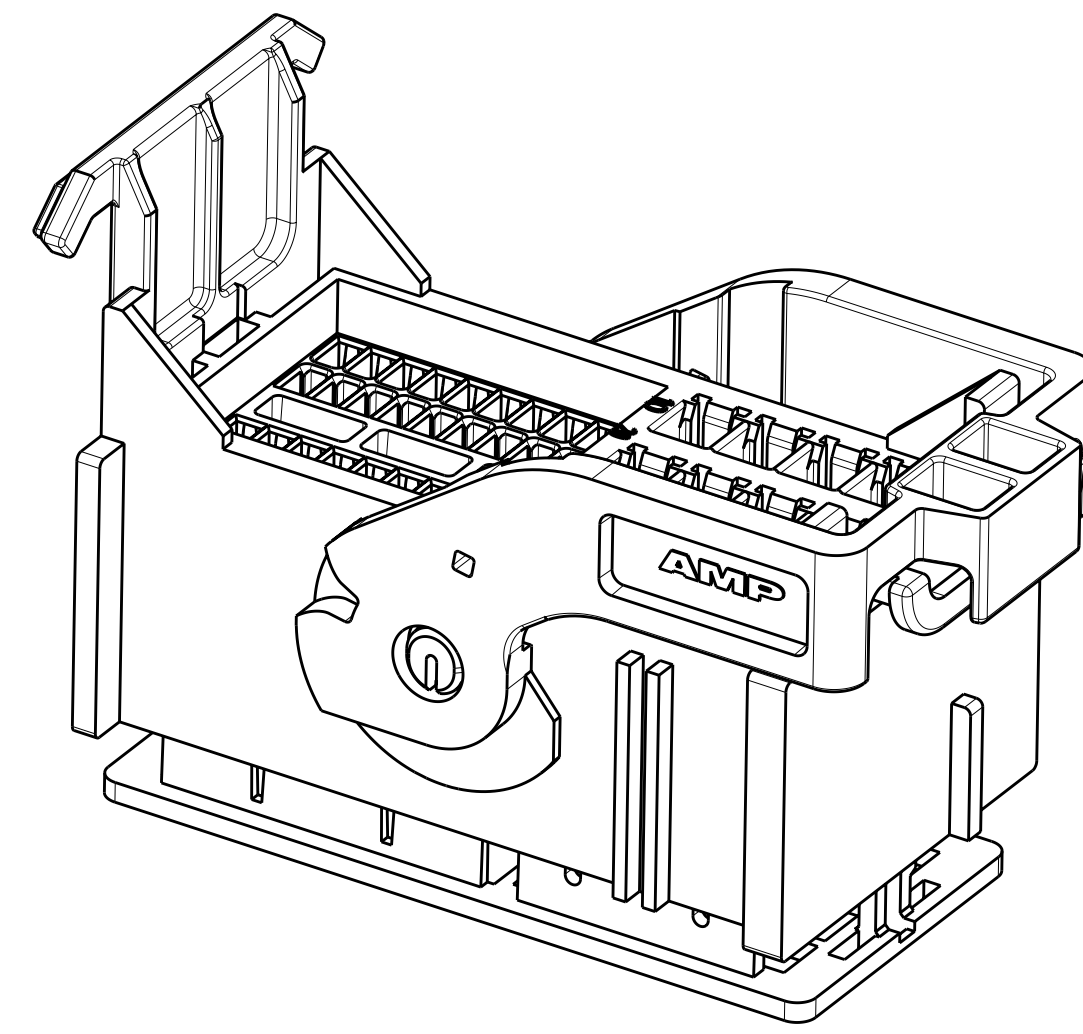
776932-4
776932-3
776932-1
PART NUMBER

<small>THIS DRAWING IS UNPUBLISHED. RELEASED FOR PUBLICATION BY TYCO ELECTRONICS CORPORATION. IT IS SUBJECT TO CHANGE WITHOUT NOTICE AND WITHOUT OBLIGATION. SHOULD BE CONTACTED FOR THE LATEST REVISION.</small>		DWN: R. VESTAL 23NOV05 CHK: A. EBRAHEEM 23NOV05 APVD: A. EBRAHEEM 23NOV05	Tyco Electronics Harrisburg, PA 17105-3608
DIMENSIONS: mm TOLERANCES UNLESS OTHERWISE SPECIFIED: 9 PLC ± 1 PLC ±0.2 3 PLC ±0.10 5 PLC ± 4 PLC ± ANGLES ± FINISH	PRODUCT SPEC APPLICATION SPEC WEIGHT CUSTOMER DRAWING	NAME: PLUG ASSEMBLY, 52 POSITION, 2.8mm AND 0.64mm, TERMINAL SIZE: A1100779 CAGE CODE: C=776932 DRAWING NO: 776932-1 RESTRICTED TO:	Tyco Electronics Harrisburg, PA 17105-3608
MATERIAL: △ FINISH:		SCALE: 1:1 SHEET: 1 OF 2 REV: C1	

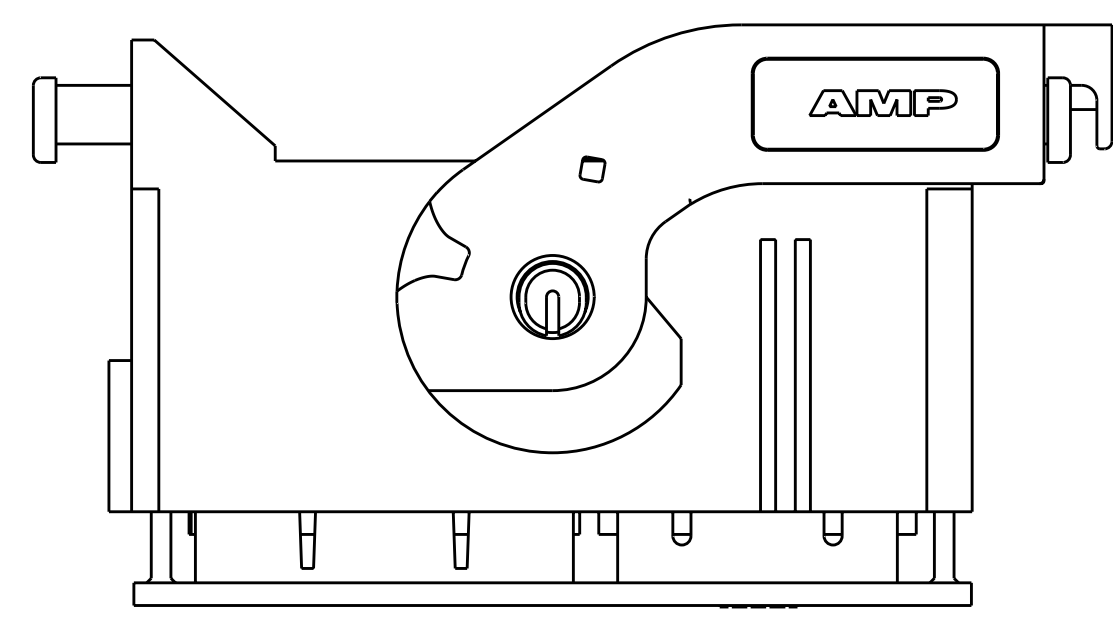
LOC	DIST	REVISIONS					
		P	LTB	DESCRIPTION	DATE	DWN	APVD
FX	00	-	-	SEE SHEET 1	-	-	-



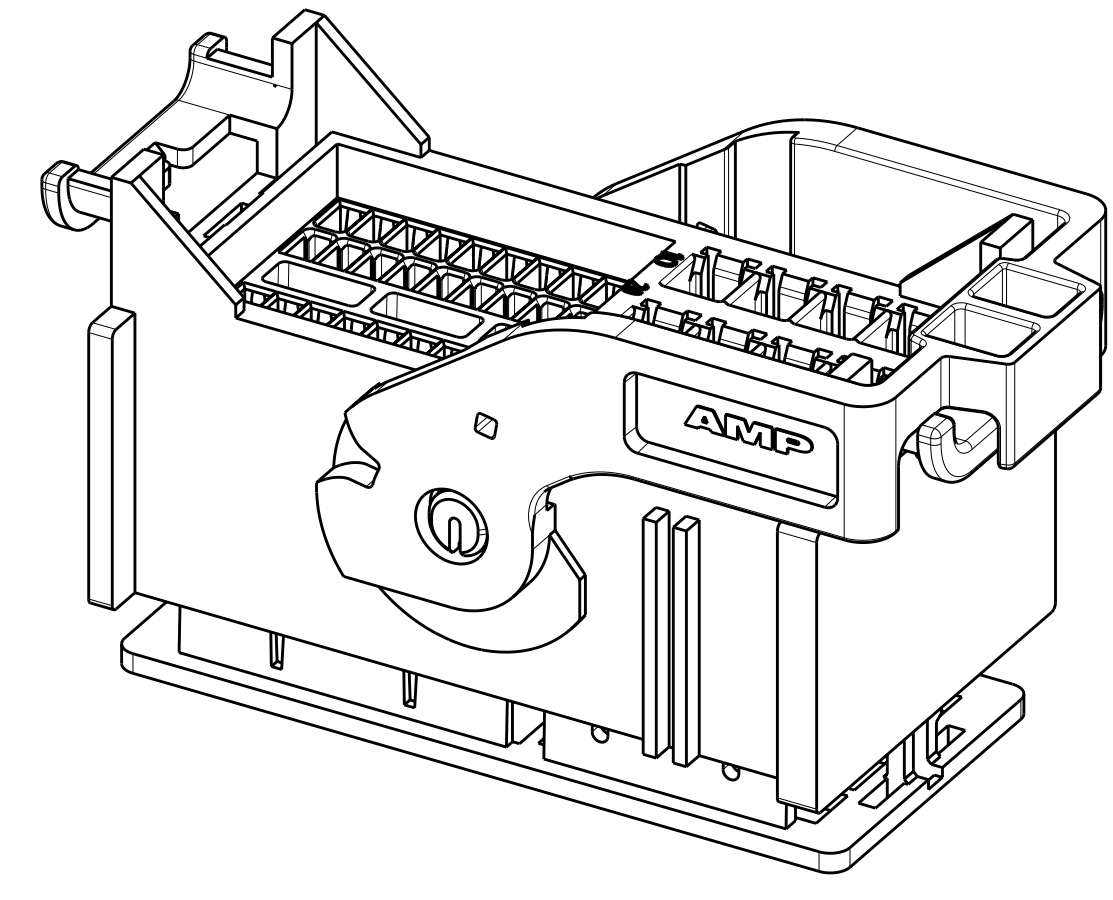
SHIPPING CONFIGURATION



776932-3



SHIPPING CONFIGURATION



776932-4

<small>THIS DRAWING IS UNPUBLISHED. RELEASED FOR PUBLICATION 20. THIS IS SUBJECT TO CHANGE. THE USER SHOULD CONTACT THE DRAWING ORIGINATOR FOR THE LATEST REVISION.</small>		DWN: R. VESTAL 23NOV05 CHK: A. EBRAHEEM 23NOV05 APVD: A. EBRAHEEM 23NOV05	Tyco Electronics Harrisburg, PA 17105-3608
DIMENSIONS: mm 	TOLERANCES UNLESS OTHERWISE SPECIFIED: 0 PLC ± 1 PLC ±0.2 2 PLC ±0.10 3 PLC ± 4 PLC ± ANGLES ± FINISH ±	NAME: PLUG ASSEMBLY, 52 POSITION, 2.8mm AND 0.64mm, TERMINAL PRODUCT SPEC: APPLICATION SPEC: WEIGHT: CUSTOMER DRAWING	SIZE: A1100779 CAGE CODE: C=776932 DRAWING NO: RESTRICTED TO:
MATERIAL: - FINISH: -		SCALE: 2:1 SHEET: 2 OF 2 REV: C1	